

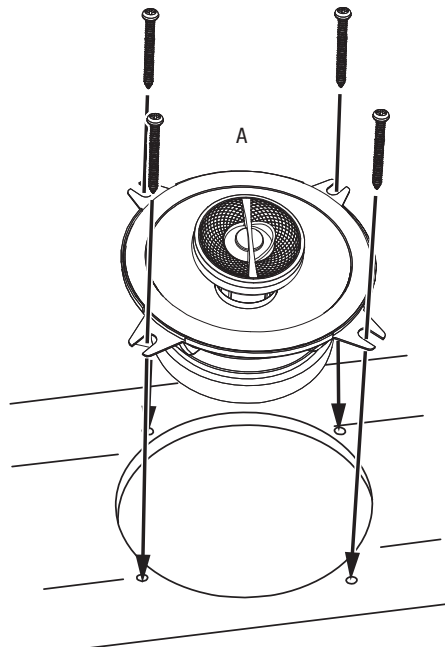
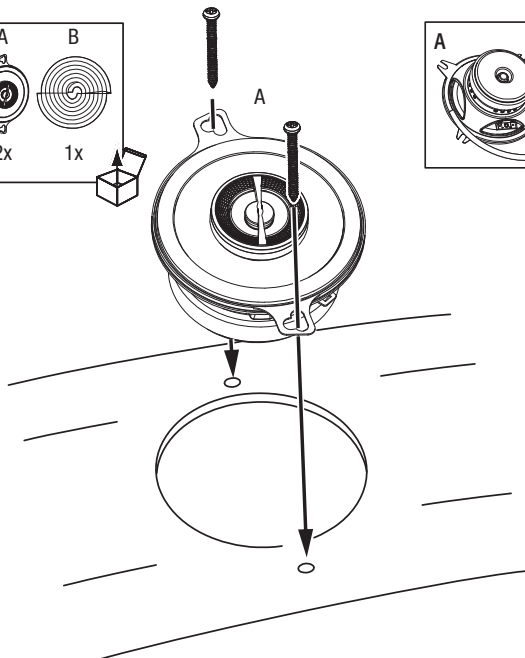
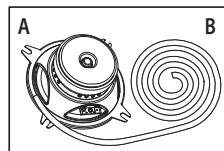
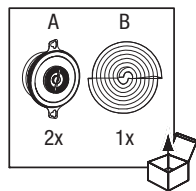
JBL® GX-SERIES

car audio speaker
car-audio lautsprecher
haut-parleur pour voiture
altavoz de audio para auto-
móvil
audioluidspreker voor in
de auto
diffusore audio per auto-
mobile
bilhögtalare
bilhøjtaler
autokaiutin
カーオーディオ・スピーカー
车载扬声器
автомобильный
громкоговоритель
głośnik samochodowy
coluna de som para automó-
vel
車用音響喇叭
araç hoparlörü

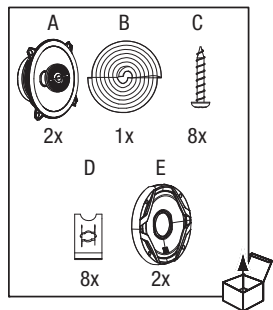


INSTALLATION MANUAL
EINBAUANLEITUNG
GUIDE D'INSTALLATION
MANUAL DE INSTALACIÓN
MONTAGEHANDLEIDING
INSTALLAZIONE MANUALE
INSTALLATIONSMANUAL
INSTALLATIONSVEJLEDNING
ASENNUSOHJE
取付説明書
安裝手冊
РУКОВОДСТВО ПО
УСТАНОВКЕ
PODRĘCZNIK INSTALACJI
MANUAL DE INSTALAÇÃO
安裝手冊
KURULUM KILAVUZU

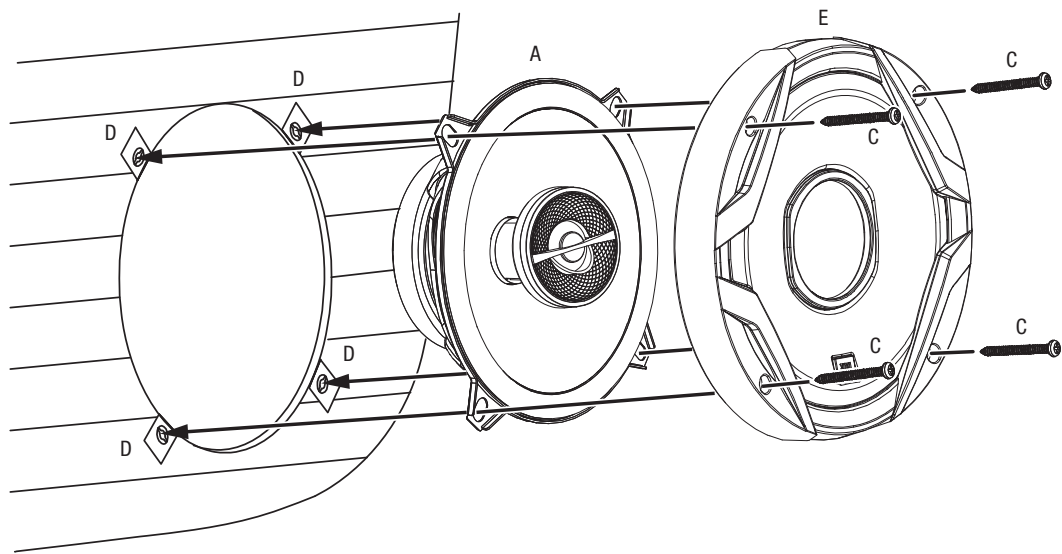
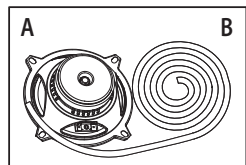
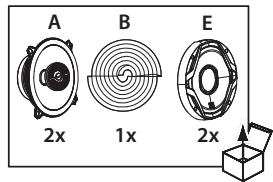
GX328, GX428



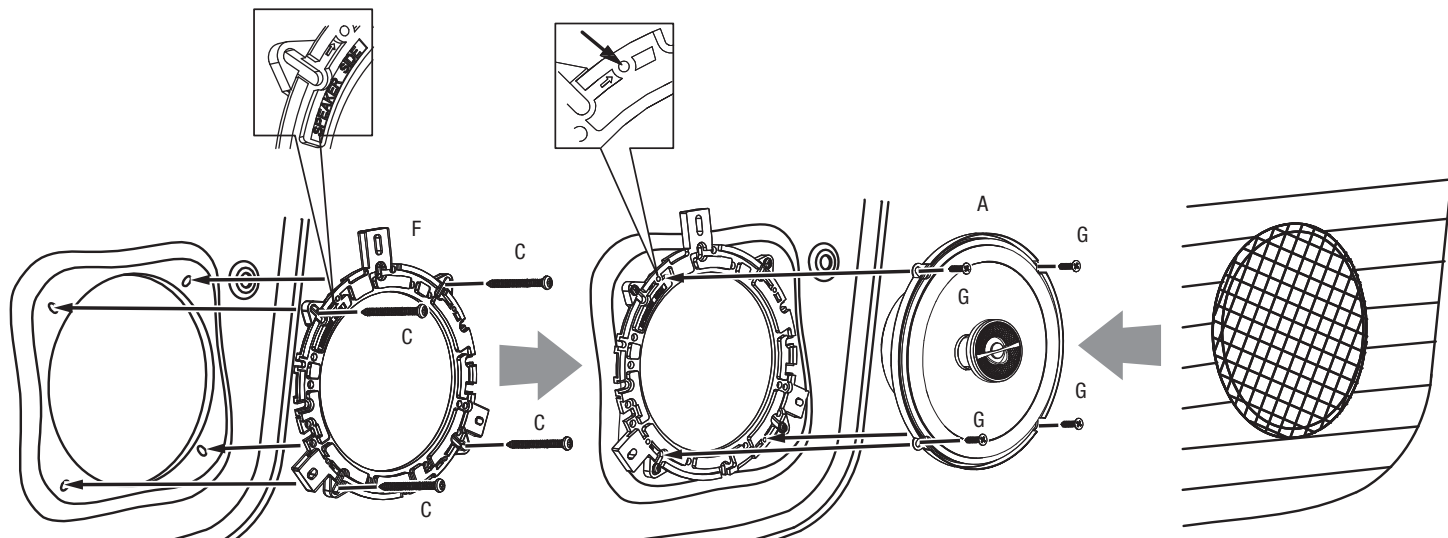
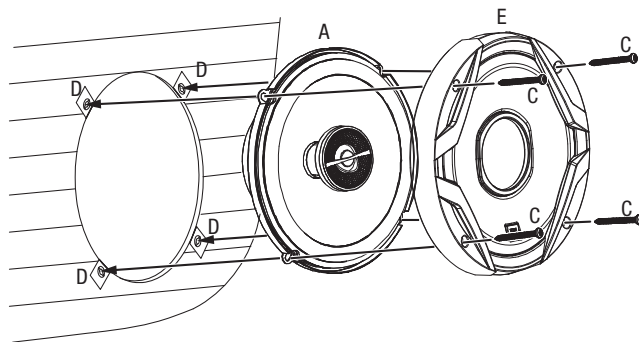
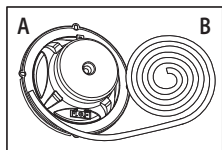
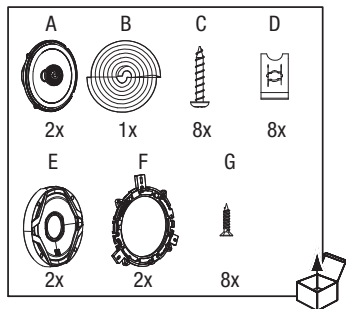
GX528



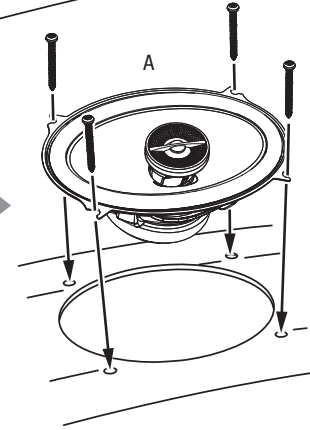
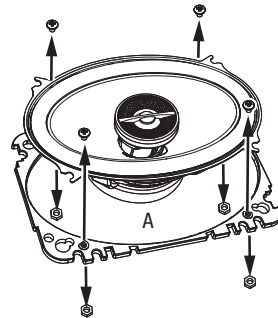
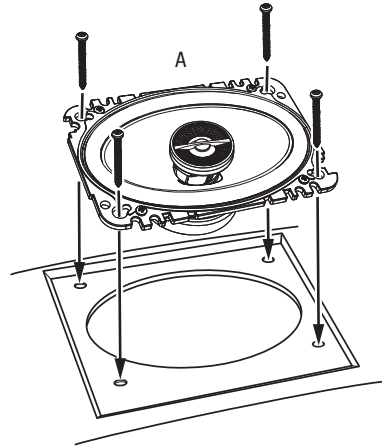
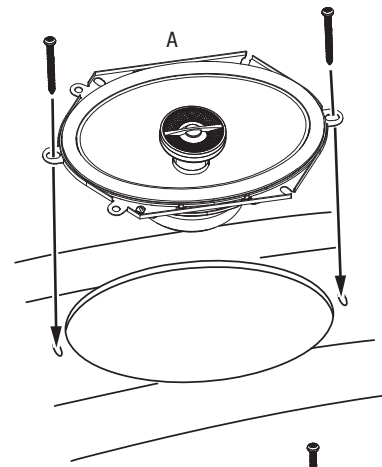
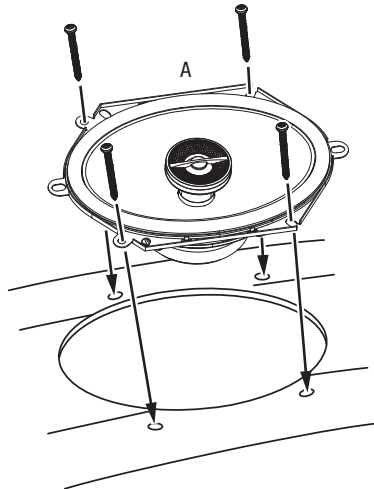
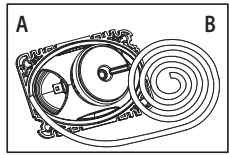
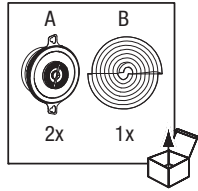
GX9628, GX9638



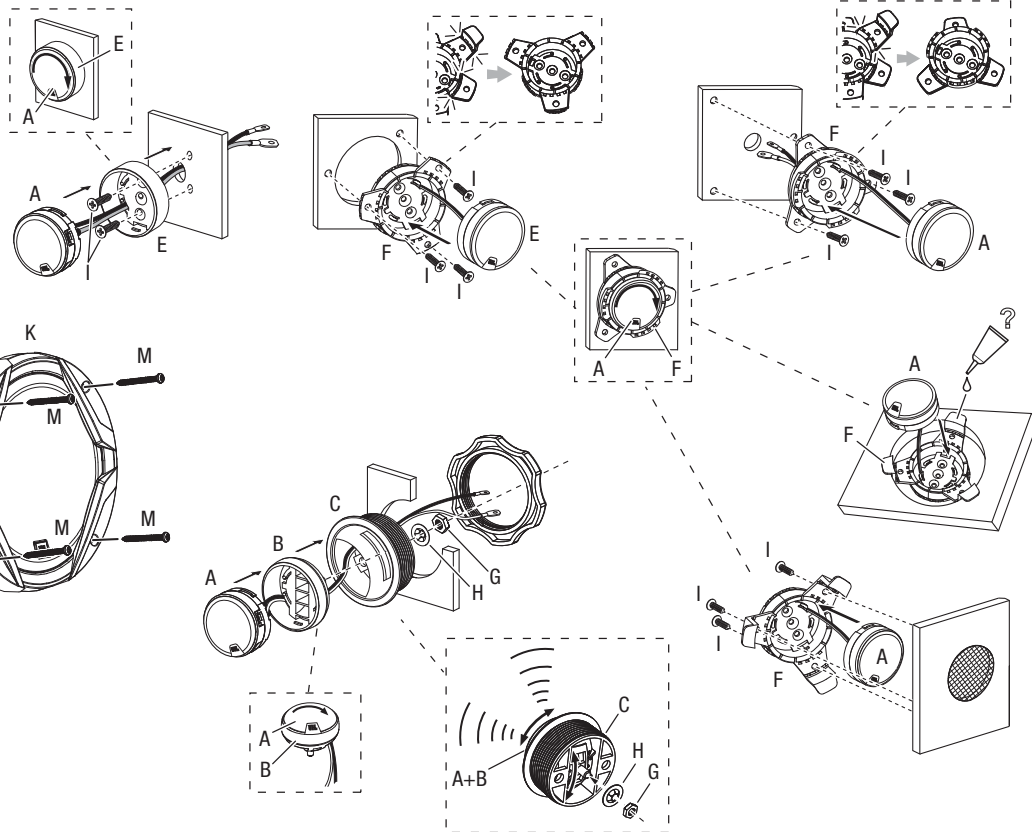
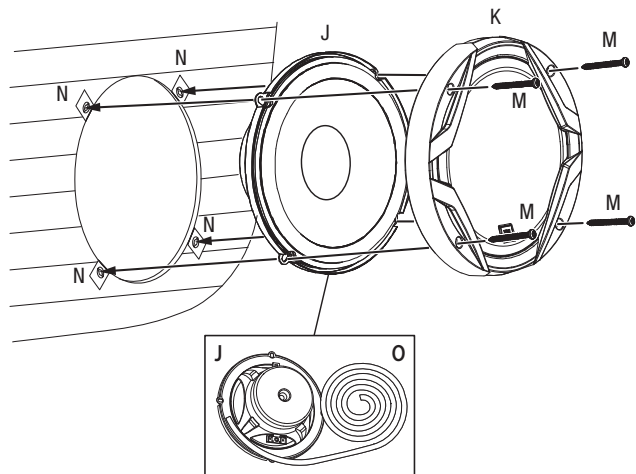
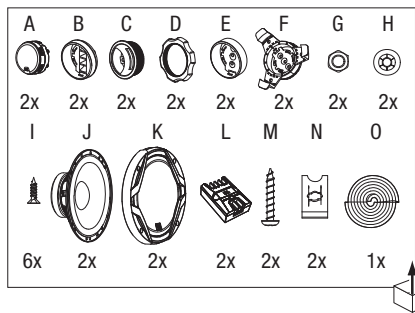
GX628



GX8628, GX6428

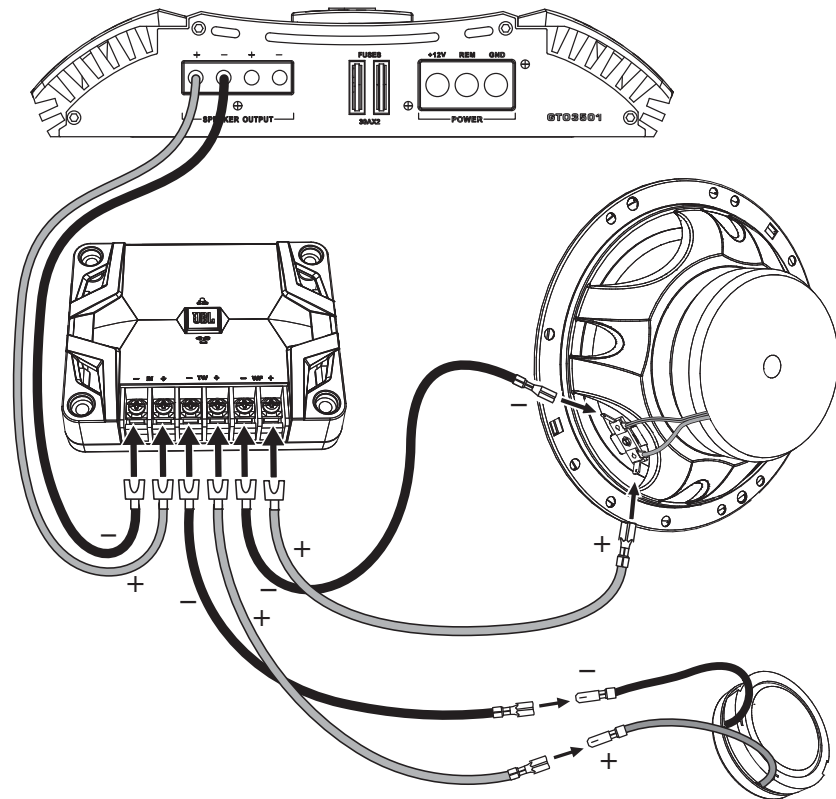
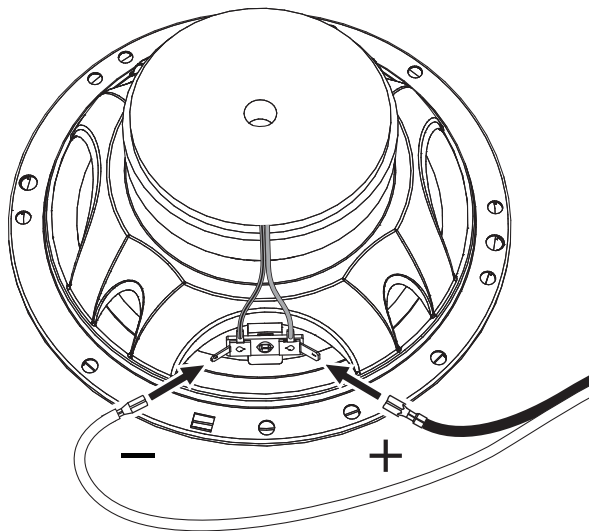


GX608C

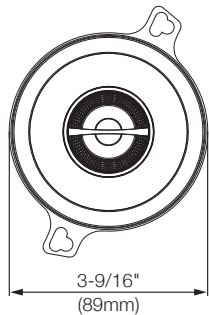
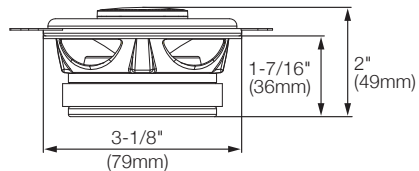


GX328, GX428, GX528, GX628,
GX6428, GX8628, GX9628, GX9638

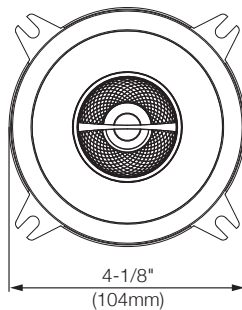
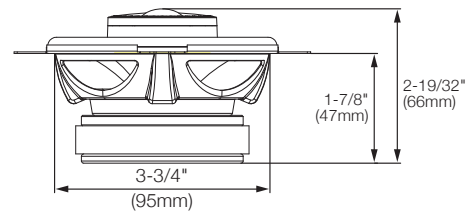
GX608C



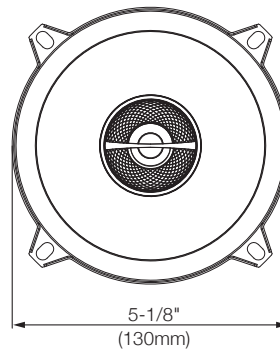
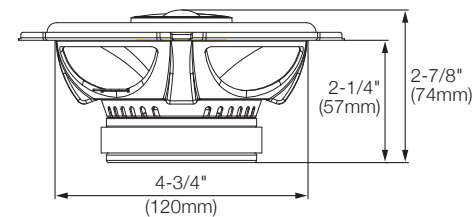
GX328



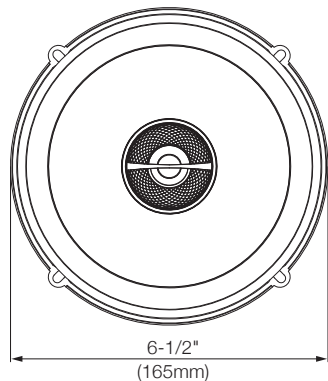
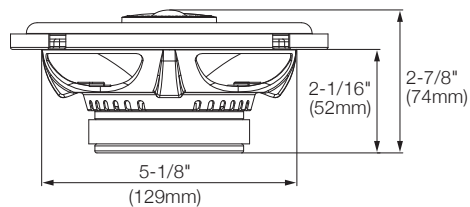
GX428



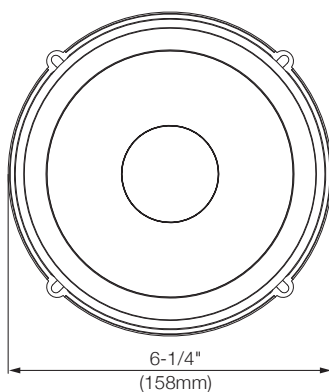
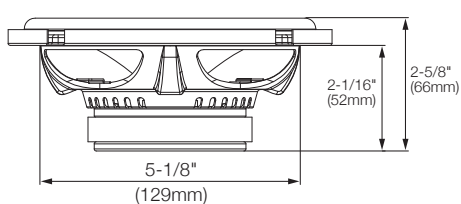
GX528



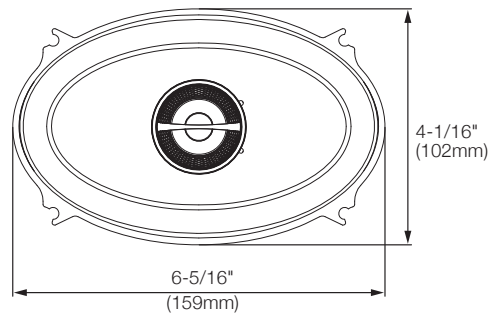
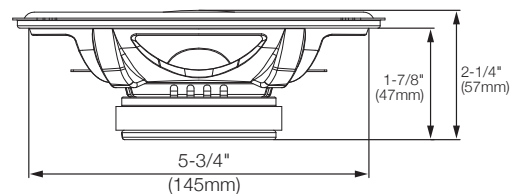
GX628



GX608C



GX6428



Торговая марка:

JBL

Назначение товара:

Пассивная акустическая система

Изготовитель:

Харман Интернешнл Индастриз Инкорпорейтед, США, 06901 Коннектикут, г.Стамфорд, Атлантик Стрит 400, офис 1500

Страна происхождения:

Вьетнам (Китай для моделей GX9628 и GX9638)

Импортер в Россию:

ООО "ХАРМАН РУС СиАйЭс", Россия, 127018, г.Москва, ул. Двинцев, д.12, к 1

Гарантийный период:

1 год

Информация о сервисных центрах:

www.harman.com/ru тел. +7-800-700-0467

Срок службы:

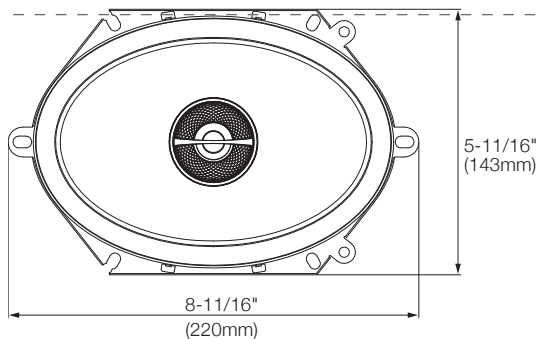
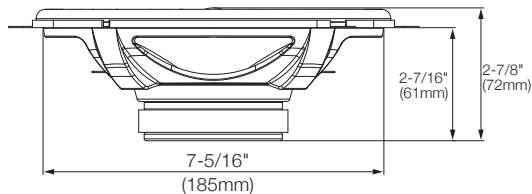
3 года

Товар не подлежит обязательному подтверждению соответствия

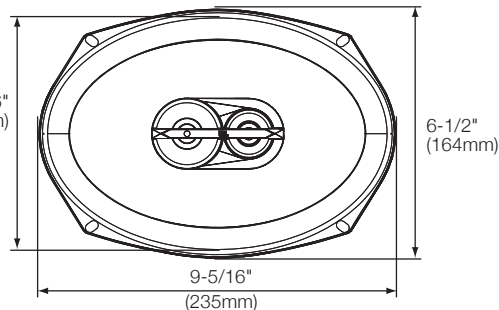
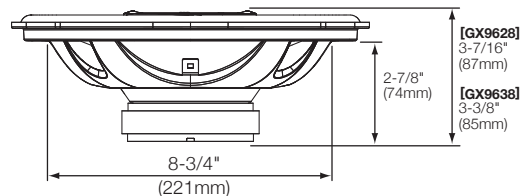
Дата производства:

Дата изготовления устройства определяется по двум буквенным обозначениям из второй группы символов серийного номера изделия, следующих после разделительного знака «-». Кодировка соответствует порядку букв латинского алфавита, начиная с января 2010 года: 000000-MY0000000, где «M» - месяц производства (A - январь, B - февраль, C - март и т.д.) и «Y» - год производства (A - 2010, B - 2011, C - 2012 и т.д.).

GX8628



GX9628/GX9638



SPECIFICATIONS

	GX328	GX428	GX528	GX628	GX6428	GX8628	GX9628	GX9638	GX608C
Type	3-1/2" (89mm) two-way speaker	4" (100mm) two-way speaker	5-1/4" (130mm) two-way speaker	6-1/2" (165 mm) two-way speaker	4" x 6" (100mm x 152mm) two-way speaker	5" x 7" / 6" x 8" (143mm x 220mm) two-way speaker	6" x 9" (152mm x 230mm) two-way speaker	6" x 9" (152mm x 230mm) three-way speaker	6-1/2" (165mm) two-way component system
Continuous power handling	25W	35W	45W	60W	40W	60W	100W	100W	70W
Peak power handling	75W	105W	135W	180W	120W	180W	300W	300W	210W
Frequency response	90Hz – 20kHz	75Hz – 21kHz	65Hz – 21kHz	50Hz – 21kHz	75Hz – 21kHz	50Hz – 21kHz	45Hz – 21kHz	45Hz – 21kHz	50Hz – 21kHz
Nominal impedance	2.3 ohms	2.3 ohms	2.3 ohms	2.3 ohms	2.3 ohms	2.3 ohms	2.3 ohms	2.3 ohms	2.3 ohms
Sensitivity (2.83V/m)	89dB	90dB	91dB	92dB	91dB	92dB	94dB	94dB	92dB
External diameter	3-9/16" (89mm)	4-1/8" (104mm)	5-1/8" (130mm)	6-1/2" (165mm)	4-1/16" x 6-5/16" (102mm x 159mm)	5-11/16" x 8-11/16" (143mm x 220mm)	6-1/2" x 9-5/16" (164mm x 235mm)	6-1/2" x 9-5/16" (164mm x 235mm)	6-1/4" (158mm)
Mounting cutout diameter	3-1/8" (79mm)	3-3/4" (95mm)	4-3/4" (120mm)	5-1/8" (129mm)	3-7/16" x 5-3/4" (86mm x 145mm)	5" x 7-5/16" (128mm x 185mm)	5-15/16" x 8-3/4" (150mm x 221mm)	5-15/16" x 8-3/4" (150mm x 221mm)	5-1/8" (129mm)
Total depth	2" (49mm)	2-19/32" (66mm)	2-7/8" (74mm)	2-7/8" (72mm)	2-1/4" (57mm)	2-7/8" (72mm)	3-7/16" (87mm)	3-3/8" (85mm)	2-5/8" (66mm)
Mounting depth	1-7/16" (36mm)	1-7/8" (47mm)	2-1/4" (57mm)	2-1/16" (52mm)	1-7/8" (47mm)	2-7/16" (61mm)	2-7/8" (74mm)	2-7/8" (74mm)	2-1/16" (52mm)

TECHNISCHE DATEN

	GX328	GX428	GX528	GX628	GX6428	GX8628	GX9628	GX9638	GX608C
Typ	3-1/2" 2-Wege Lautsprecher	4" 2-Wege Lautsprecher	5-1/4" 2-Wege Lautsprecher	6-1/2" 3-Wege Lautsprecher	4" x 6" 2-Wege Lautsprecher	5" x 7" / 6" x 8" 2-Wege Lautsprecher	6" x 9" 2-Wege Lautsprecher	6" x 9" 3-Wege Lautsprecher	6-1/2" 2-Wege Komponentensystem
Dauerbelastbarkeit	25W	35W	45W	60W	40W	60W	100W	100W	70W
Spitzenbelastbarkeit	75W	105W	135W	180W	120W	180W	300W	300W	210W
Frequenzbereich	90Hz – 20kHz	75Hz – 21kHz	65Hz – 21kHz	50Hz – 21kHz	75Hz – 21kHz	50Hz – 21kHz	45Hz – 21kHz	45Hz – 21kHz	50 Hz – 21 kHz
Nennimpedanz	2.3 ohm	2.3 ohm	2.3 ohm	2.3 ohm	2.3 ohms	2.3 ohms	2.3 ohms	2.3 ohms	2.3 ohm
Wirkungsgrad @ 2,83V/1 Meter	89dB	90dB	91dB	91dB	92dB	92dB	94dB	94dB	92dB
Außendurchmesser	89mm	104mm	130mm	165mm	102mm x 159mm	143mm x 220mm	164mm x 235mm	164mm x 235mm	158mm
Durchmesser des Montageausschnittes	79mm	95mm	120mm	129mm	86mm x 145mm	126mm x 185mm	150mm x 221mm	150mm x 221mm	129mm
Vollständige Tiefe	49mm	66mm	74mm	72mm	57mm	72mm	87mm	85mm	66mm
Einbautiefe	36mm	47mm	57mm	52mm	47mm	61mm	74mm	74mm	52mm

Deutsch

CARACTÉRISTIQUES

	GX328	GX428	GX528	GX628	GX6428	GX8628	GX9628	GX9638	GX608C
Type	3-1/2" haut-parleur deux voies	4" haut-parleur deux voies	5-1/4" haut-parleur deux voies	6-1/2" haut-parleur deux voies	4" x 6" haut-parleur deux voies	5" x 7" / 6" x 8" haut-parleur deux voies	6" x 9" haut-parleur deux voies	6" x 9" haut-parleur trois voies	6-1/2" système composant deux voies
Puissance continue admissible	25W	35W	45W	60W	40W	60W	100W	100W	70W
Puissance crête admissible	75W	105W	135W	180W	120W	180W	300W	300W	210W
Réponse en fréquence	90Hz – 20kHz	75Hz – 21kHz	65Hz – 21kHz	50Hz – 21kHz	75Hz – 21kHz	50Hz – 21kHz	45Hz – 21kHz	45Hz – 21kHz	50Hz – 21kHz
Impédance nominale	2.3 ohms	2.3 ohms	2.3 ohms	2.3 ohms	2.3 ohms	2.3 ohms	2.3 ohms	2.3 ohms	2.3 ohms
Sensibilité @ 2,83V/1m	89dB	90dB	91dB	92dB	91dB	92dB	94dB	94dB	92dB
Diamètre extérieur	3-9/16" (89mm)	4-1/8" (104mm)	5-1/8" (130mm)	6-1/2" (165mm)	4-1/16" x 6-5/16" (102mm x 159mm)	5-11/16" x 8-11/16" (143mm x 220mm)	6-1/2" x 9-5/16" (164mm x 235mm)	6-1/2" x 9-5/16" (164mm x 235mm)	6-1/4" (158mm)
Diamètre de découpe	3-1/8" (79mm)	3-3/4" (95mm)	4-3/4" (120mm)	5-1/8" (129mm)	3-7/16" x 5-3/4" (86mm x 145mm)	5" x 7-5/16" (126mm x 185mm)	5-15/16" x 8-3/4" (150mm x 221mm)	5-15/16" x 8-3/4" (150mm x 221mm)	5-1/8" (129mm)
Profondeur totale	2" (49mm)	2-19/32" (66mm)	2-7/8" (74mm)	2-7/8" (72mm)	2-1/4" (57mm)	2-7/8" (72mm)	3-7/16" (87mm)	3-3/8" (85mm)	2-5/8" (66mm)
Profondeur de montage	1-7/16" (36mm)	1-7/8" (47mm)	2-1/4" (57mm)	2-1/16" (52mm)	1-7/8" (47mm)	2-7/16" (61mm)	2-7/8" (74mm)	2-7/8" (74mm)	2-1/16" (52mm)

Français

ESPECIFICACIONES

	GX328	GX428	GX528	GX628	GX6428	GX8628	GX9628	GX9638	GX608C
Typo	3-1/2" altavoces de dos vías	4" altavoces de dos vías	5-1/4" altavoces de dos vías	6-1/2" altavoces de dos vías	4" x 6" altavoces de dos vías	5" x 7" / 6" x 8" altavoces de dos vías	6" x 9" altavoces de dos vías	6" x 9" altavoces de tres vías	6-1/2" componente de sistema de dos vías.
Manejo de potencia continua	25W	35W	45W	60W	40W	60W	100W	100W	70W
Manejo de potencia punta	75W	105W	135W	180W	120W	180W	300W	300W	210W
Respuesta en frecuencia	90Hz – 20kHz	75Hz – 21kHz	65Hz – 21kHz	50Hz – 21kHz	75Hz – 21kHz	50Hz – 21kHz	45Hz – 21kHz	45Hz – 21kHz	50Hz – 21kHz
Impedancia nomina	2.3 ohms	2.3 ohms	2.3 ohms	2.3 ohms	2.3 ohms	2.3 ohms	2.3 ohms	2.3 ohms	2.3 ohms
Sensibilidad 2.83V @ 1 metro	89dB	90dB	91dB	92dB	91dB	92dB	94dB	94dB	92dB
Diámetro exterior	3-9/16" (89mm)	4-1/8" (104mm)	5-1/8" (130mm)	6-1/2" (165mm)	4-1/16" x 6-5/16" (102mm x 159mm)	5-11/16" x 8-11/16" (143mm x 220mm)	6-1/2" x 9-5/16" (164mm x 235mm)	6-1/2" x 9-5/16" (164mm x 235mm)	6-1/4" (158mm)
Montaje de diámetro recorte	3-1/8" (79mm)	3-3/4" (95mm)	4-3/4" (120mm)	5-1/8" (129mm)	3-7/16" x 5-3/4" (86mm x 145mm)	5" x 7-5/16" (126mm x 185mm)	5-15/16" x 8-3/4" (150mm x 221mm)	5-15/16" x 8-3/4" (150mm x 221mm)	5-1/8" (129mm)
Profundidad total	2" (49mm)	2-19/32" (66mm)	2-7/8" (74mm)	2-7/8" (72mm)	2-1/4" (57mm)	2-7/8" (72mm)	3-7/16" (87mm)	3-3/8" (85mm)	2-5/8" (66mm)
Profundidad de montaje	1-7/16" (36mm)	1-7/8" (47mm)	2-1/4" (57mm)	2-1/16" (52mm)	1-7/8" (47mm)	2-7/16" (61mm)	2-7/8" (74mm)	2-7/8" (74mm)	2-1/16" (52mm)

Español

SPECIFICATIES

	GX328	GX428	GX528	GX628	GX6428	GX8628	GX9628	GX9638	GX608C
Type	3-1/2" twee-wegluidspreker	4" twee-wegluidspreker	5-1/4" twee-wegluidspreker	6-1/2" twee-wegluidspreker	4" x 6" twee-wegluidspreker	5" x 7" / 6" x 8" twee-wegluidspreker	6" x 9" twee-wegluidspreker	6" x 9" drie-wegluidspreker	6-1/2" twee-weg component systeem
Continuermogen afhandeling	25W	35W	45W	60W	40W	60W	100W	100W	70W
Piekvermogen afhandeling	75W	105W	135W	180W	120W	180W	300W	300W	210W
Frequentiebereik	90Hz – 20kHz	75Hz – 21kHz	65Hz – 21kHz	50Hz – 21kHz	75Hz – 21kHz	50Hz – 21kHz	45Hz – 21kHz	45Hz – 21kHz	50Hz – 21kHz
Nominale impedantie	2.3 ohm	2.3 ohm	2.3 ohm	2.3 ohm	2.3 ohm	2.3 ohm	2.3 ohm	2.3 ohm	2.3 ohm
Gevoeligheid 2,83V @ 1 meter	89dB	90dB	91dB	92dB	91dB	92dB	94dB	94dB	92dB
Uitwendige diameter	3-9/16" (89mm)	4-1/8" (104mm)	5-1/8" (130mm)	6-1/2" (165mm)	4-1/16" x 6-5/16" (102mm x 159mm)	5-11/16" x 8-11/16" (143mm x 220mm)	6-1/2" x 9-5/16" (164mm x 235mm)	6-1/2" x 9-5/16" (164mm x 235mm)	6-1/4" (158mm)
Montage uitsparingsdiameter	3-1/8" (79mm)	3-3/4" (95mm)	4-3/4" (120mm)	5-1/8" (129mm)	3-7/16" x 5-3/4" (86mm x 145mm)	5" x 7-5/16" (126mm x 185mm)	5-15/16" x 8-3/4" (150mm x 221mm)	5-15/16" x 8-3/4" (150mm x 221mm)	5-1/8" (129mm)
Totale diepte	2" (49mm)	2-19/32" (66mm)	2-7/8" (74mm)	2-7/8" (72mm)	2-1/4" (57mm)	2-7/8" (72mm)	3-7/16" (87mm)	3-3/8" (85mm)	2-5/8" (66mm)
Inbouwdiepte	1-7/16" (36mm)	1-7/8" (47mm)	2-1/4" (57mm)	2-1/16" (52mm)	1-7/8" (47mm)	2-7/16" (61mm)	2-7/8" (74mm)	2-7/8" (74mm)	2-1/16" (52mm)

Nederlands

SPECIFIKATIONER

	GX328	GX428	GX528	GX628	GX6428	GX8628	GX9628	GX9638	GX608C
Type	3-1/2" två-väghögtalare	4" två-väghögtalare	5-1/4" två-väghögtalare	6-1/2" tre-väghögtalare	4" x 6" två-väghögtalare	5" x 7" / 6" x 8" två-väghögtalare	6" x 9" två-väghögtalare	6" x 9" tre-väghögtalare	6-1/2" två-vägs komponentsystem
Kontinuerlig märkeffekt	25W	35W	45W	60W	40W	60W	100W	100W	70W
Toppeffekt hantering	75W	105W	135W	180W	120W	180W	300W	300W	210W
Frekvensområde	90Hz – 20kHz	75Hz – 21kHz	65Hz – 21kHz	50Hz – 21kHz	75Hz – 21kHz	50Hz – 21kHz	45Hz – 21kHz	45Hz – 21kHz	50Hz – 21kHz
Nominal impedans	2.3 ohms	2.3 ohms	2.3 ohms	2.3 ohms	2.3 ohms	2.3 ohms	2.3 ohms	2.3 ohms	2.3 ohms
Känslighet 2,83V @ 1 meter	89dB	90dB	91dB	92dB	91dB	92dB	94dB	94dB	92dB
Yttre diameter	3-9/16" (89mm)	4-1/8" (104mm)	5-1/8" (130mm)	6-1/2" (165mm)	4-1/16" x 6-5/16" (102mm x 159mm)	5-11/16" x 8-11/16" (143mm x 220mm)	6-1/2" x 9-5/16" (164mm x 235mm)	6-1/2" x 9-5/16" (164mm x 235mm)	6-1/4" (158mm)
Montering utskuren diameter	3-1/8" (79mm)	3-3/4" (95mm)	4-3/4" (120mm)	5-1/8" (129mm)	3-7/16" x 5-3/4" (86mm x 145mm)	5" x 7-5/16" (126mm x 185mm)	5-15/16" x 8-3/4" (150mm x 221mm)	5-15/16" x 8-3/4" (150mm x 221mm)	5-1/8" (129mm)
Totalt djup	2" (49mm)	2-19/32" (66mm)	2-7/8" (74mm)	2-7/8" (72mm)	2-1/4" (57mm)	2-7/8" (72mm)	3-7/16" (87mm)	3-3/8" (85mm)	2-5/8" (66mm)
Monteringsdjup	1-7/16" (36mm)	1-7/8" (47mm)	2-1/4" (57mm)	2-1/16" (52mm)	1-7/8" (47mm)	2-7/16" (61mm)	2-7/8" (74mm)	2-7/8" (74mm)	2-1/16" (52mm)

Svenska

SPECIFICHE

	GX328	GX428	GX528	GX628	GX6428	GX8628	GX9628	GX9638	GX608C
Tipo	3-1/2" diffusore a due vie	4" diffusore a due vie	5-1/4" diffusore a due vie	6-1/2" diffusore a due vie	4" x 6" diffusore a due vie	5" x 7" / 6" x 8" diffusore a due vie	6" x 9" diffusore a due vie	6" x 9" diffusore a tre vie	6-1/2" sistema componente a due vie
Gestione continua corrente	25W	35W	45W	60W	40W	60W	100W	100W	70W
Gestione corrente picco	75W	105W	135W	180W	120W	180W	300W	300W	210W
Risposta in frequenza	90Hz – 20kHz	75Hz – 21kHz	65Hz – 21kHz	50Hz – 21kHz	75Hz – 21kHz	50Hz – 21kHz	45Hz – 21kHz	45Hz – 21kHz	50Hz – 21kHz
Impedenza nominale	2.3 ohms	2.3 ohms	2.3 ohms	2.3 ohms	2.3 ohms	2.3 ohms	2.3 ohms	2.3 ohms	2.3 ohms
Sensibilità 2.83V @ 1 metro	89dB	90dB	91dB	92dB	91dB	92dB	94dB	94dB	92dB
Diametro esterno	3-9/16" (89mm)	4-1/8" (104mm)	5-1/8" (130mm)	6-1/2" (165mm)	4-1/16" x 6-5/16" (102mm x 159mm)	5-11/16" x 8-11/16" (143mm x 220mm)	6-1/2" x 9-5/16" (164mm x 235mm)	6-1/2" x 9-5/16" (164mm x 235mm)	6-1/4" (158mm)
Diametro soglia di montaggio	3-1/8" (79mm)	3-3/4" (95mm)	4-3/4" (120mm)	5-1/8" (129mm)	3-7/16" x 5-3/4" (86mm x 145mm)	5" x 7-5/16" (126mm x 185mm)	5-15/16" x 8-3/4" (150mm x 221mm)	5-15/16" x 8-3/4" (150mm x 221mm)	5-1/8" (129mm)
Profondità totale	2" (49mm)	2-19/32" (66mm)	2-7/8" (74mm)	2-7/8" (72mm)	2-1/4" (57mm)	2-7/8" (72mm)	3-7/16" (87mm)	3-3/8" (85mm)	2-5/8" (66mm)
Profondità di montaggio	1-7/16" (36mm)	1-7/8" (47mm)	2-1/4" (57mm)	2-1/16" (52mm)	1-7/8" (47mm)	2-7/16" (61mm)	2-7/8" (74mm)	2-7/8" (74mm)	2-1/16" (52mm)

Italiano

SPECIFIKATIONER

	GX328	GX428	GX528	GX628	GX6428	GX8628	GX9628	GX9638	GX608C
Type	3-1/2" tovejs-højttaler	4" tovejs-højttaler	5-1/4" tovejs-højttaler	6-1/2" tovejs-højttaler	4" x 6" tovejs-højttaler	5" x 7" / 6" x 8" tovejs-højttaler	6" x 9" tovejs-højttaler	6" x 9" trevejs-højttaler	6-1/2" tovejs-komponentsystem
Kontinuerlig strømstyring	25W	35W	45W	60W	40W	60W	100W	100W	70W
Spidsbelastning-strømstyring	75W	105W	135W	180W	120W	180W	300W	300W	210W
Frekvensgang	90Hz – 20kHz	75Hz – 21kHz	65Hz – 21kHz	50Hz – 21kHz	75Hz – 21kHz	50Hz – 21kHz	45Hz – 21kHz	45Hz – 21kHz	50Hz – 21kHz
Nominel impedans	2.3 ohms	2.3 ohms	2.3 ohms	2.3 ohms	2.3 ohms	2.3 ohms	2.3 ohms	2.3 ohms	2.3 ohms
Følsomhed 2,83V, 1m	89dB	90dB	91dB	92dB	91dB	92dB	94dB	94dB	92dB
Ekstern diameter	3-9/16" (89mm)	4-1/8" (104mm)	5-1/8" (130mm)	6-1/2" (165mm)	4-1/16" x 6-5/16" (102mm x 159mm)	5-1/16" x 8-11/16" (143mm x 220mm)	6-1/2" x 9-5/16" (164mm x 235mm)	6-1/2" x 9-5/16" (164mm x 235mm)	6-1/4" (158mm)
udskåret diameter	3-1/8" (79mm)	3-3/4" (95mm)	4-3/4" (120mm)	5-1/8" (129mm)	3-7/16" x 5-3/4" (86mm x 145mm)	5" x 7-5/16" (126mm x 185mm)	5-15/16" x 8-3/4" (150mm x 221mm)	5-15/16" x 8-3/4" (150mm x 221mm)	5-1/8" (129mm)
Total dybde	2" (49mm)	2-19/32" (66mm)	2-7/8" (74mm)	2-7/8" (72mm)	2-1/4" (57mm)	2-7/8" (72mm)	3-7/16" (87mm)	3-3/8" (85mm)	2-5/8" (66mm)
Monteringsdybde	1-7/16" (36mm)	1-7/8" (47mm)	2-1/4" (57mm)	2-1/16" (52mm)	1-7/8" (47mm)	2-7/16" (61mm)	2-7/8" (74mm)	2-7/8" (74mm)	2-1/16" (52mm)

TEKNISET TIEDOT

	GX328	GX428	GX528	GX628	GX6428	GX8628	GX9628	GX9638	GX608C
Tyyppi	3-1/2" kaksitiekauitin	4" kaksitiekauitin	5-1/4" kaksitiekauitin	6-1/2" kaksitiekauitin	4" x 6" kaksitiekauitin	5" X 7" / 6" X 8" kaksitiekauitin	6" x 9" kaksitiekauitin	6" x 9" kolmitiekauitin	6-1/2" kaksitie-erillisarja
Continuous power handling	25W	35W	45W	60W	40W	60W	100W	100W	70W
Peak power handling	75W	105W	135W	180W	120W	180W	300W	300W	210W
Taajuusvaste	90Hz – 20kHz	75Hz – 21kHz	65Hz – 21kHz	50Hz – 21kHz	75Hz – 21kHz	50Hz – 21kHz	45Hz – 21kHz	45Hz – 21kHz	50Hz – 21kHz
Nimellisimpedanssi	2.3 ohmia	2.3 ohmia	2.3 ohmia	2.3 ohmia	2.3 ohmia	2.3 ohmia	2.3 ohmia	2.3 ohmia	2.3 ohmia
Herkkyyks 2,83V @ 1 m	89dB	90dB	91dB	92dB	91dB	92dB	94dB	94dB	92dB
ulkohalkaisija	3-9/16" (89mm)	4-1/8" (104mm)	5-1/8" (130mm)	6-1/2" (165mm)	4-1/16" x 6-5/16" (102mm x 159mm)	5-1/16" x 8-11/16" (143mm x 220mm)	6-1/2" x 9-5/16" (164mm x 235mm)	6-1/2" x 9-5/16" (164mm x 235mm)	6-1/4" (158mm)
asennusaukon halkaisija	3-1/8" (79mm)	3-3/4" (95mm)	4-3/4" (120mm)	5-1/8" (129mm)	3-7/16" x 5-3/4" (86mm x 145mm)	5" x 7-5/16" (126mm x 185mm)	5-15/16" x 8-3/4" (150mm x 221mm)	5-15/16" x 8-3/4" (150mm x 221mm)	5-1/8" (129mm)
kokonaissyvyys	2" (49mm)	2-19/32" (66mm)	2-7/8" (74mm)	2-7/8" (72mm)	2-1/4" (57mm)	2-7/8" (72mm)	3-7/16" (87mm)	3-3/8" (85mm)	2-5/8" (66mm)
asennussyvyys	1-7/16" (36mm)	1-7/8" (47mm)	2-1/4" (57mm)	2-1/16" (52mm)	1-7/8" (47mm)	2-7/16" (61mm)	2-7/8" (74mm)	2-7/8" (74mm)	2-1/16" (52mm)

仕様

	GX328	GX428	GX528	GX628	GX6428	GX8628	GX9628	GX9638	GX608C
形式	3-1/2" 2ウェイ・スピーカー	4" 2ウェイ・スピーカー	5-1/4" 2ウェイ・スピーカー	6-1/2" 2ウェイ・スピーカー	4" x 6" 2ウェイ・スピーカー	5" x 7" / 6" x 8" 2ウェイ・スピーカー	6" x 9" 2ウェイ・スピーカー	6" x 9" 3ウェイ・スピーカー	6-1/2" 2ウェイ・コンポーネント・システム
定格入力	25W	35W	45W	60W	40W	60W	100W	100W	70W
最大許容入力	75W	105W	135W	180W	120W	180W	300W	300W	210W
周波数特性	90Hz – 20kHz	75Hz – 21kHz	65Hz – 21kHz	50Hz – 21kHz	75Hz – 21kHz	50Hz – 21kHz	45Hz – 21kHz	45Hz – 21kHz	50Hz – 21kHz
インピーダンス	2.3 オーム	2.3 オーム	2.3 オーム	2.3 オーム	2.3 オーム	2.3 オーム	2.3 オーム	2.3 オーム	2.3 オーム
出力音差レベル (2.83V/m)	89dB	90dB	91dB	92dB	91dB	92dB	94dB	94dB	92dB
外形寸法	3-9/16" (89mm)	4-1/8" (104mm)	5-1/8" (130mm)	6-1/2" (165mm)	4-1/16" x 6-5/16" (102mm x 159mm)	5-1/16" x 8-11/16" (143mm x 220mm)	6-1/2" x 9-5/16" (164mm x 235mm)	6-1/2" x 9-5/16" (164mm x 235mm)	6-1/4" (158mm)
取付穴径	3-1/8" (79mm)	3-3/4" (95mm)	4-3/4" (120mm)	5-1/8" (129mm)	3-7/16" x 5-3/4" (86mm x 145mm)	5" x 7-5/16" (126mm x 185mm)	5-15/16" x 8-3/4" (150mm x 221mm)	5-15/16" x 8-3/4" (150mm x 221mm)	5-1/8" (129mm)
最大奥行	2" (49mm)	2-19/32" (66mm)	2-7/8" (74mm)	2-7/8" (72mm)	2-1/4" (57mm)	2-7/8" (72mm)	3-7/16" (87mm)	3-3/8" (85mm)	2-5/8" (66mm)
埋め込み寸法	1-7/16" (36mm)	1-7/8" (47mm)	2-1/4" (57mm)	2-1/16" (52mm)	1-7/8" (47mm)	2-7/16" (61mm)	2-7/8" (74mm)	2-7/8" (74mm)	2-1/16" (52mm)

Dansk

Suomi

Japanese

规格	GX328	GX428	GX528	GX628	GX6428	GX8628	GX9628	GX9638	GX608C
类型	3-1/2" 二分频扬声器	4" 二分频扬声器	5-1/4" 二分频扬声器	6-1/2" 二分频扬声器	4" x 6" 二分频扬声器	5" x 7" / 6" x 8" 二分频扬声器	6" x 9" 三分频扬声器	6" x 9" 三分频扬声器	6-1/2" 三分频立体式扬声器系统
持续功率	25瓦	35瓦	45瓦	60瓦	40瓦	60瓦	100瓦	100瓦	70瓦
峰值功率	75瓦	105瓦	135瓦	180瓦	120瓦	180瓦	300瓦	300瓦	210瓦
频响	90赫兹至 - 20千赫兹	75赫兹至 - 21千赫兹	65赫兹至 - 21千赫兹	50赫兹至 - 21千赫兹	3-7/16" x 5-3/4" (86mm x 145mm)	75赫兹至 - 21千赫兹	45赫兹至 - 21千赫兹	45赫兹至 - 21千赫兹	50赫兹至 - 21千赫兹
标称阻抗	2.3欧	2.3欧	2.3欧	2.3欧	2.3欧	2.3欧	2.3欧	2.3欧	2.3欧
灵敏度 (2,83V/m)	89分贝	90分贝	91分贝	92分贝	91分贝	92分贝	94分贝	94分贝	92分贝
外径	3-9/16" (89mm)	4-1/8" (104mm)	5-1/8" (130mm)	6-1/2" (165mm)	4-1/16" x 6-5/16" (102mm x 159mm)	5-11/16" x 8-11/16" (143mm x 220mm)	6-1/2" x 9-5/16" (164mm x 235mm)	6-1/2" x 9-5/16" (164mm x 235mm)	6-1/4" (158mm)
安装开口直径	3-1/8" (79mm)	3-3/4" (95mm)	4-3/4" (120mm)	5-1/8" (129mm)	3-7/16" x 5-3/4" (86mm x 145mm)	5" x 7-5/16" (126mm x 185mm)	5-15/16" x 8-3/4" (150mm x 221mm)	5-15/16" x 8-3/4" (150mm x 221mm)	5-1/8" (129mm)
总深度	2" (49mm)	2-19/32" (66mm)	2-7/8" (74mm)	2-7/8" (72mm)	2-1/4" (57mm)	2-7/8" (72mm)	3-7/16" (87mm)	3-3/8" (85mm)	2-5/8" (66mm)
安装深度	1-7/16" (36mm)	1-7/8" (47mm)	2-1/4" (57mm)	2-1/16" (52mm)	1-7/8" (47mm)	2-7/16" (61mm)	2-7/8" (74mm)	2-7/8" (74mm)	2-1/16" (52mm)

ХАРАКТЕРИСТИКИ

	GX328	GX428	GX528	GX628	GX6428	GX8628	GX9628	GX9638	GX608C
Тип	3-1/2" стерео спикер	4" стерео спикер	5-1/4" стерео спикер	6-1/2" стерео спикер	4" x 6" стерео спикер	5" x 7" / 6" x 8" стерео спикер	6" x 9" стерео спикер	6" x 9" трехканальный громкоговоритель	6-1/2" Высокочастотная головка
Мощность	25Вт	35Вт	45Вт	60Вт	40Вт	60Вт	100Вт	100Вт	70Вт
Пиковая мощность	75Вт	105Вт	135Вт	180Вт	120Вт	180Вт	300Вт	300Вт	210Вт
Диапазон частот	90Гц – 20кГц	75Гц – 21кГц	65Гц – 21кГц	50Гц – 21кГц	3-7/16" x 5-3/4" (86мм x 145мм)	75Гц – 21кГц	45Гц – 21кГц	45Гц – 20кГц	50Гц – 21кГц
Номинальный импеданс	2.3 Ом	2.3 Ом	2.3 Ом	2.3 Ом	2.3 Ом	2.3 Ом	2.3 Ом	2.3 Ом	2.3 Ом
Чувствительность (2,83 В на 1 м)	89дБ	90дБ	91дБ	92дБ	91дБ	92дБ	94дБ	94дБ	92дБ
Внешний диаметр	3-9/16" (89мм)	4-1/8" (104мм)	5-1/8" (130мм)	6-1/2" (165мм)	4-1/16" x 6-5/16" (102мм x 159мм)	5-11/16" x 8-11/16" (143мм x 220мм)	6-1/2" x 9-5/16" (164мм x 235мм)	6-1/2" x 9-5/16" (164мм x 235мм)	6-1/4" (158мм)
Монтажный диаметр	3-1/8" (79мм)	3-3/4" (95мм)	4-3/4" (120мм)	5-1/8" (129мм)	3-7/16" x 5-3/4" (86мм x 145мм)	5" x 7-5/16" (126мм x 185мм)	5-15/16" x 8-3/4" (150мм x 221мм)	5-15/16" x 8-3/4" (150мм x 221мм)	5-1/8" (129мм)
Глубина	2" (49мм)	2-19/32" (66мм)	2-7/8" (74мм)	2-7/8" (72мм)	2-1/4" (57мм)	2-7/8" (72мм)	3-7/16" (87мм)	3-3/8" (85мм)	2-5/8" (66мм)
Монтажная глубина	1-7/16" (36мм)	1-7/8" (47мм)	2-1/4" (57мм)	2-1/16" (52мм)	1-7/8" (47мм)	2-7/16" (61мм)	2-7/8" (74мм)	2-7/8" (74мм)	2-1/16" (52мм)

DANE TECHNICZNE

	GX328	GX428	GX528	GX628	GX6428	GX8628	GX9628	GX9638	GX608C
Typ	głośnik 2-drożny 3-1/2"	głośnik 2-drożny 4"	głośnik 2-drożny 5-1/4"	głośnik 2-drożny 6-1/2"	głośnik 2-drożny 4" x 6"	głośnik 2-drożny 5" x 7" / 6" x 8"	głośnik 2-drożny 6" x 9"	głośnik 3-drożny 6" x 9"	zestaw 2-drożny 6-1/2"
Moc ROS	25W	35W	45W	60W	40W	60W	100W	100W	70W
Moc szczytowa	75W	105W	135W	180W	120W	180W	300W	300W	210W
Pasmo przenoszenia	90Hz – 20kHz	75Hz – 21kHz	65Hz – 21kHz	50Hz – 21kHz	75Hz – 21kHz	50Hz – 21kHz	45Hz – 21kHz	45Hz – 21kHz	50Hz – 21kHz
Impedancja	2.3 omy	2.3 omy	2.3 omy	2.3 omy	2.3 omy	2.3 omy	2.3 omy	2.3 omy	2.3 omy
Skuteczność (2,83V@1m)	89dB	90dB	91dB	92dB	91dB	92dB	94dB	94dB	92dB
Średnica głośnika	3-9/16" (89mm)	4-1/8" (104mm)	5-1/8" (130mm)	6-1/2" (165mm)	4-1/16" x 6-5/16" (102mm x 159mm)	5-11/16" x 8-11/16" (143mm x 220mm)	6-1/2" x 9-5/16" (164mm x 235mm)	6-1/2" x 9-5/16" (164mm x 235mm)	6-1/4" (158mm)
Średnica otworu montażowego	3-1/8" (79mm)	3-3/4" (95mm)	4-3/4" (120mm)	5-1/8" (129mm)	3-7/16" x 5-3/4" (86mm x 145mm)	5" x 7-5/16" (126mm x 185mm)	5-15/16" x 8-3/4" (150mm x 221mm)	5-15/16" x 8-3/4" (150mm x 221mm)	5-1/8" (129mm)
Głębokość głośnika	2" (49mm)	2-19/32" (66mm)	2-7/8" (74mm)	2-7/8" (72mm)	2-1/4" (57mm)	2-7/8" (72mm)	3-7/16" (87mm)	3-3/8" (85mm)	2-5/8" (66mm)
Głębokość montażu	1-7/16" (36mm)	1-7/8" (47mm)	2-1/4" (57mm)	2-1/16" (52mm)	1-7/8" (47mm)	2-7/16" (61mm)	2-7/8" (74mm)	2-7/8" (74mm)	2-1/16" (52mm)

简体中文

Русский

Polski

ESPECIFICAÇÕES

	GX328	GX428	GX528	GX628	GX6428	GX8628	GX9628	GX9638	GX608C
Tipo	3-1/2" altifalante de duas vias	4" altifalante de duas vias	5-1/4" altifalante de duas vias	6-1/2" altifalante de duas vias	4" x 6" altifalante de duas vias	5" x 7" / 6" x 8" altifalante de duas vias	6" x 9" altifalante de duas vias	6" x 9" altifalante de três vias	6-1/2" componente sistema de duas vias
Potência Contínua em funcionamento	25W	35W	45W	60W	40W	60W	100W	100W	70W
Pico de Potência em funcionamento	75W	105W	135W	180W	120W	180W	300W	300W	210W
Frequência de resposta	90Hz – 20kHz	75Hz – 21kHz	65Hz – 21kHz	50Hz – 21kHz	75Hz – 21kHz	50Hz – 21kHz	45Hz – 21kHz	45Hz – 21kHz	50Hz – 21kHz
Impedância nominal	2.3 ohms	2.3 ohms	2.3 ohms	2.3 ohms	2.3 ohms	2.3 ohms	2.3 ohms	2.3 ohms	2.3 ohms
Sensibilidade (2,83V @ 1m)	89dB	90dB	91dB	92dB	91dB	92dB	94dB	94dB	92dB
Diâmetro exterior	3-9/16" (89mm)	4-1/8" (104mm)	5-1/8" (130mm)	6-1/2" (165mm)	4-1/16" x 6-5/16" (102mm x 159mm)	5-11/16" x 8-11/16" (143mm x 220mm)	6-1/2" x 9-5/16" (164mm x 235mm)	6-1/2" x 9-5/16" (164mm x 235mm)	6-1/4" (158mm)
Diâmetro do corte de montagem	3-1/8" (79mm)	3-3/4" (95mm)	4-3/4" (120mm)	5-1/8" (129mm)	3-7/16" x 5-3/4" (86mm x 145mm)	5" x 7-5/16" (126mm x 185mm)	5-15/16" x 8-3/4" (150mm x 221mm)	5-15/16" x 8-3/4" (150mm x 221mm)	5-1/8" (129mm)
Profundidade total	2" (49mm)	2-19/32" (66mm)	2-7/8" (74mm)	2-7/8" (72mm)	2-1/4" (57mm)	2-7/8" (72mm)	3-7/16" (87mm)	3-3/8" (85mm)	2-5/8" (66mm)
Profundidade de montagem	1-7/16" (36mm)	1-7/8" (47mm)	2-1/4" (57mm)	2-1/16" (52mm)	1-7/8" (47mm)	2-7/16" (61mm)	2-7/8" (74mm)	2-7/8" (74mm)	2-1/16" (52mm)

規格

	GX328	GX428	GX528	GX628	GX6428	GX8628	GX9628	GX9638	GX608C
類型	3-1/2" 雙向喇叭	4" 雙向喇叭	5-1/4" 雙向喇叭	6-1/2" 雙向喇叭	4" X 6" 雙向喇叭	5" X 7" / 6" X 8" 雙向喇叭	6" x 9" 雙向喇叭	6" x 9" 三向喇叭	6-1/2" 雙向元件系統
連續供電處理	25W	35W	45W	60W	40W	60W	100W	100W	70W
尖峰供電處理	75W	105W	135W	180W	120W	180W	300W	300W	210W
頻率反應	90Hz – 20kHz	75Hz – 21kHz	65Hz – 21kHz	50Hz – 21kHz	75Hz – 21kHz	50Hz – 21kHz	45Hz – 21kHz	45Hz – 21kHz	50Hz – 21kHz
標稱阻抗	2.3 ohms	2.3 ohms	2.3 ohms	2.3 ohms	2.3 ohms	2.3 ohms	2.3 ohms	2.3 ohms	2.3 ohms
靈敏度 (2.83V/m)	89dB	90dB	91dB	92dB	91dB	92dB	94dB	94dB	92dB
外部直徑	3-9/16" (89mm)	4-1/8" (104mm)	5-1/8" (130mm)	6-1/2" (165mm)	4-1/16" x 6-5/16" (102mm x 159mm)	5-11/16" x 8-11/16" (143mm x 220mm)	6-1/2" x 9-5/16" (164mm x 235mm)	6-1/2" x 9-5/16" (164mm x 235mm)	6-1/4" (158mm)
托架輪廓直徑	3-1/8" (79mm)	3-3/4" (95mm)	4-3/4" (120mm)	5-1/8" (129mm)	3-7/16" x 5-3/4" (86mm x 145mm)	5" x 7-5/16" (126mm x 185mm)	5-15/16" x 8-3/4" (150mm x 221mm)	5-15/16" x 8-3/4" (150mm x 221mm)	5-1/8" (129mm)
總厚度	2" (49mm)	2-19/32" (66mm)	2-7/8" (74mm)	2-7/8" (72mm)	2-1/4" (57mm)	2-7/8" (72mm)	3-7/16" (87mm)	3-3/8" (85mm)	2-5/8" (66mm)
裝嵌後之厚度	1-7/16" (36mm)	1-7/8" (47mm)	2-1/4" (57mm)	2-1/16" (52mm)	1-7/8" (47mm)	2-7/16" (61mm)	2-7/8" (74mm)	2-7/8" (74mm)	2-1/16" (52mm)

TEKNIK ÖZELLİKLER

	GX328	GX428	GX528	GX628	GX6428	GX8628	GX9628	GX9638	GX608C
Tip	3-1/2" iki yönlü hoparlör	4" iki yönlü hoparlör	5-1/4" iki yönlü hoparlör	6-1/2" iki yönlü hoparlör	4" X 6" iki yönlü hoparlör	5" X 7" / 6" X 8" iki yönlü hoparlör	6" x 9" iki yönlü hoparlör	6" x 9" üç yönlü hoparlör	6-1/2" iki yönlü bileşen sistemi
Kesintisiz güç kullanımı	25W	35W	45W	60W	40W	60W	100W	100W	70W
Tepe gücü kullanımı	75W	105W	135W	180W	120W	180W	300W	300W	210W
Frekans Tepkisi	90Hz – 20kHz	75Hz – 21kHz	65Hz – 21kHz	50Hz – 21kHz	75Hz – 21kHz	50Hz – 21kHz	45Hz – 21kHz	45Hz – 21kHz	50Hz – 21kHz
Nominal Empedans	2.3 ohms	2.3 ohms	2.3 ohms	2.3 ohms	2.3 ohms	2.3 ohms	2.3 ohms	2.3 ohms	2.3 ohms
Duyarlılık (2.83V, 1m)	89dB	90dB	91dB	92dB	91dB	92dB	94dB	94dB	92dB
Harici çap	3-9/16" (89mm)	4-1/8" (104mm)	5-1/8" (130mm)	6-1/2" (165mm)	4-1/16" x 6-5/16" (102mm x 159mm)	5-11/16" x 8-11/16" (143mm x 220mm)	6-1/2" x 9-5/16" (164mm x 235mm)	6-1/2" x 9-5/16" (164mm x 235mm)	6-1/4" (158mm)
Montaj kesici çapı	3-1/8" (79mm)	3-3/4" (95mm)	4-3/4" (120mm)	5-1/8" (129mm)	3-7/16" x 5-3/4" (86mm x 145mm)	5" x 7-5/16" (126mm x 185mm)	5-15/16" x 8-3/4" (150mm x 221mm)	5-15/16" x 8-3/4" (150mm x 221mm)	5-1/8" (129mm)
Toplam derinlik	2" (49mm)	2-19/32" (66mm)	2-7/8" (74mm)	2-7/8" (72mm)	2-1/4" (57mm)	2-7/8" (72mm)	3-7/16" (87mm)	3-3/8" (85mm)	2-5/8" (66mm)
Montaj derinliği	1-7/16" (36mm)	1-7/8" (47mm)	2-1/4" (57mm)	2-1/16" (52mm)	1-7/8" (47mm)	2-7/16" (61mm)	2-7/8" (74mm)	2-7/8" (74mm)	2-1/16" (52mm)



HARMAN International Industries, Inc.
8500 Balboa Boulevard, Northridge, CA 91329 USA

www.jbl.com

©2018 HARMAN International Industries, Incorporated. All rights reserved.

JBL is a trademark of HARMAN International Industries, Incorporated, registered in the United States and/or other countries. Features, specifications and appearance are subject to change without notice.

©2018 HARMAN International Industries, Incorporated. Tous droits reserves.

JBL sont de marque commerciales de HARMAN International Industries, Incorporated, deposees aux Etats-Unis et dans d'autres pays. Les fonctionnalites, les specifications et l'apparence du produit sont sujettes a changement sans preavis.

©2018 HARMAN International Industries, Incorporated. Todos los derechos reservados.

JBL es una marca comercial de HARMAN International Industries, Incorporated, registrada en los Estados Unidos u otros países. Las funciones, las especificaciones y el diseño del producto están sujetos a cambios sin previo aviso.

